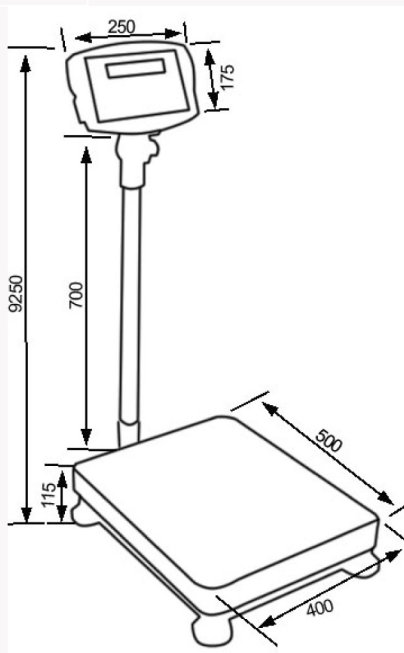




TECHNICAL DATA

External resolution..... 1/15,000
 Display..... 24mm LCD
 (selectable 1.2" LED display)
 Pan size..... 600 mm × 800 mm
 Keyboard..... 5 keys (mechanical key)
 Operate temp..... 0°C ~ +40°C
 ADC update..... sigma delta
 ADC update..... ≤ 1/10 second
 Rating..... Rechargeable battery (6V)
 AC adapter (9V/800mA)

DIMENSION



FEATURES

- ◆ Big LCD display
- ◆ Rechargeable battery powered
- ◆ Selectable weighing unit (kg / lb)
- ◆ Auto sleep function (only for LED model)
- ◆ Accumulation function
- ◆ Adjustable indicator bracket
- ◆ Optional RS-232 interface, can connect to PC or printer

SPECIFICATIONS

Model	LEW
Capacity/division	60 kg / 5 g, 150 kg / 10 g, 300 kg / 20 g
Pan size	600 mm x 800 mm welding steel base and S.S. platform
Display	24mm 6digits LCD (with LED backlight)
Internal counts	200,000
Rating	Internal rechargeable battery (6V/4Ah) AC adapter (9V/800mA)
Gross weight	57kg