



# Navigator™

Portable Scales



Navigator™ NV



Navigator™ NVL



Navigator™ NVT

## ***The Only Scale in its Class with Touchless Sensors That Free Up Your Hands!***

OHAUS raises the bar in value-oriented scales...again! The Navigator™ series offers a unique combination of features, including touchless sensors, ultra-fast response time and superior overload protection for use in a wide variety of weighing applications.

### ***Standard Features Include:***

- **Touchless Sensors** – Navigator Series is designed with two touchless sensors that will free up your hands so you can focus on handling samples. The touch-free control of the zero, print, function or tare operations helps to avoid transferring sample residue to the keypad. In addition, the two sensors can be set up independently to control up to 36 combinations of operations.
- **One Second Stabilization Time** – Navigator Series is designed to accurately stabilize in less than one second to provide fast and accurate weighing results, improving operator efficiency, productivity and throughput.
- **Superior Overload Protection** – Navigator Series is designed with a superior mechanical overload protection system that allows the scale to withstand loads up to 400% of its rated capacity. This prevents damage to the scale and helps it withstand undue shock or overloading. In addition, an integrated shipping lock further protects the weighing cell from damage during transportation or storage.

## Specification:

Model	Capacity	Readability (d)	Repeatability	Linearity
NV212/2	210g	0.01g	1d	±2d
NV511/2	510g	0.1g	1d	±2d
NV1101/2	1100g	0.1g	1d	±2d
NV2101/2	2100g	0.1g	1d	±2d
NV4101/2	4100g	0.2g	1d	±2d
NV5101/2	5100g	0.5g	1d	±2d
NVL511/2	510g	0.1g	1d	±2d
NVL1101/2	1100g	0.1g	1d	±2d
NVL2101/2	2100g	0.1g	1d	±2d
NVL5101/2	5100g	0.5g	1d	±2d
NVL10000/2	10000g	1g	1d	±2d
NVL20000/2	20000g	1g	1d	±2d
NVT1601/2	1600g	0.1g	1d	±2d
NVT3201/2	3200g	0.2g	1d	±2d
NVT6401/2	6400g	0.5g	1d	±2d
NVT10001/2	10000g	0.5g	1d	±2d
NVT16000/2	16000g	1g	1d	±2d

### Typical specifications:

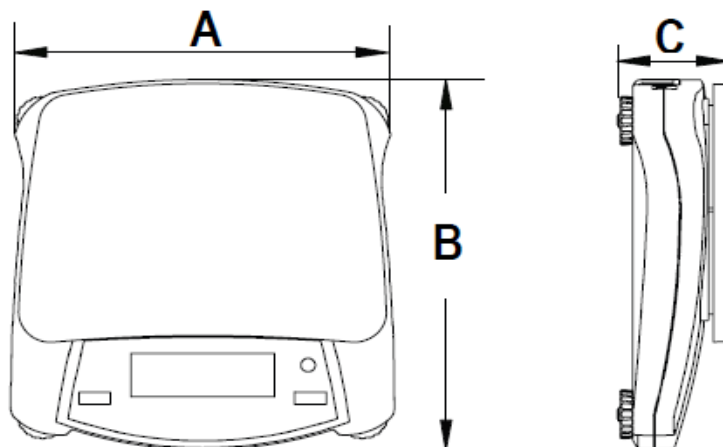
Stabilization Time	≤1 seconds
Tare range	To capacity by subtraction
Application Modes <sup>1</sup>	weigh, percent, parts count, check weigh, accumulate, hold
Weighing Units	Non-Approved: ct, g, kg, grn, lb, oz, lb:oz, ozt, N, dwt, tael (3), tola, tical M models: g, kg, ct    N models: g, kg, ct, lb, oz, ozt, dwt, grn
AC Power	AC Adapter (supplied)- 12 VDC or 12VAC, 420 mA
Battery Power	<b>NV:</b> 4 AA (LR6) batteries (not supplied) <b>NVL, NVT:</b> 4 C (LR14) batteries (not supplied) or rechargeable battery option
Calibration	Digital with external weight
LCD Display <sup>3</sup>	6-digit 7-segment LCD with white LED backlight
LED Display	6-digit 7-segment LED
Display Size	20 mm / 0.78" digits
Keypad	4-button overlay plus two programmable IR sensors
Ingress Protection	IP43 (NVT and NVL models)
Pan Size (W x D)	<b>NV:</b> 190 mm x 138 mm <b>NV212:</b> Ø120mm <b>NVL:</b> 194 mm x 203 mm <b>NVT:</b> 230 mm x 174 mm
Net Weight <sup>2</sup>	<b>NV:</b> 0.9 kg / 2.2 lb <b>NVL:</b> 1.5 kg / 3.3 lb <b>NVT:</b> 1.5 kg / 3.3 lb
Shipping Weight <sup>2</sup>	<b>NV:</b> 1.4 kg / 3.1 lb <b>NVL:</b> 2.3 kg / 5.1 lb <b>NVT:</b> 2.3 kg / 5.1 lb

Note: 1: Some application modes are restricted in Approved models

Note: 2: /1 and /3 models add 0.5 kg/1 lb

Note: 3: Available for /1 models

Drawing:



	A	B	C
NV	204 mm / 8 in.	212 mm / 8.4 in.	58 mm / 2.3 in.
NVL	204 mm / 8 in.	282 mm / 11.1 in.	74 mm / 2.9 in.
NVT	240 mm / 9.5 in.	250 mm / 9.8 in.	74 mm / 2.9 in.

### Other Standard Features and Equipment

Integral security bracket, stability indicator, software overload/underload indicators, low battery indicator, auto shut-off, AC adapter, user selectable backlight settings, user selectable printing options, user selectable communications settings.

### Accessories OHAUS Number

Battery Rechargeable Kit, Navigator Series .....	83032106		
RS232 Interface Kit, Navigator Series.....	83032107		
USB Interface Kit, Navigator Series.....	83032108		
Ethernet Interface Kit, Navigator Series.....	83032109		
In-Use Cover .....	83032223 (NV)	83032222 (NVL)	83032221(NVT)
Carrying Case.....	83032226 (NV)	83032225 (NVL)	83032224(NVT)

### Compliance

- **Electromagnetic Compatibility:** C-Tick, CE Class B, FCC Class B, ICES-003 Class B
  - **Safety (AC adaptors only):** C-Tick, CCC, CE, cCSAus, KTL, PSE, TUV-GS
- Compliant to Directive 2002/96/EC on waste electrical and electronic equipment (WEEE)  
 Compliant to Directive 2002/95/EC on the restriction of the use of certain hazardous substances in electrical and electronic equipment (RoHS)
- **Quality:** OHAUS quality management system registered to ISO 9001:2008

[www.ohaus.com](http://www.ohaus.com)

ISO 9001:2008  
Registered Quality Management System

© Copyright Ohaus Corporation

