

# TSCALE

SCALES & BALANCES

## NB/NHB SERIES PORTABLE BALANCE



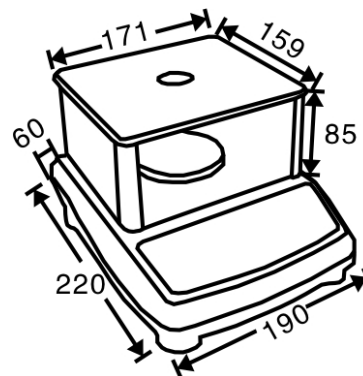
### TECHNICAL DATA

- ◆ External resolution...Up to 100,000
- ◆ Keyboard.....7 keys
- ◆ Display.....16.5 mm LCD
- ◆ Pan size.....Round 80mm(100g)  
Round 120mm(300~1000g)  
Round 135mm( 1500 g)
- ◆ Operate temp.....0 ~ +40
- ◆ ADC update..... 1/10 second
- ◆ Rating.....AC adapter (9V/800mA)  
Rechargeable battery ( 6V/1.2Ah )

### FEATURES

Capacity from 100g to 6000g  
 16.5mm LCD display, attached LED backlight  
 and loading bar graph  
 Rechargeable battery  
 Selectable weighing unit  
 Percentage weighing, counting, accumulation  
 Wind shielding (capacity 1kg)  
 Standard RS-232 interface  
 Optional below weighing  
 Optional USB interface

### DIMENSIONS ( mm )



### SPECIFICATIONS

Capacity	100 g	300 g	600 g	1000 g	1500 g	3000 g
NB		0.01 g	0.02 g		0.05g	0.1 g
NHB		0.005 g	0.01g		0.02g	0.05 g
NHB+	0.001 g			0.01g		
Pan size	80mm(100g)		120mm(300~1000g)		135mm( 1500 g)	
Display	16.5mm LCD , Attached backlight (on/off/auto selectable)					
Internal counts	1,000,000					
Rating	AC adapter powered (9V/800mA) Internal rechargeable battery ( 6V/1.2Ah )					
Housing	ABS plastic					
Gross weight	Cap. 1000g----2.9 kg			Cap. > 1000g ----2.7kg		

Models and specifications to change without notice