

# TSCALE

SCALES & BALANCES

## T20 SERIES WEIGHING SCALE



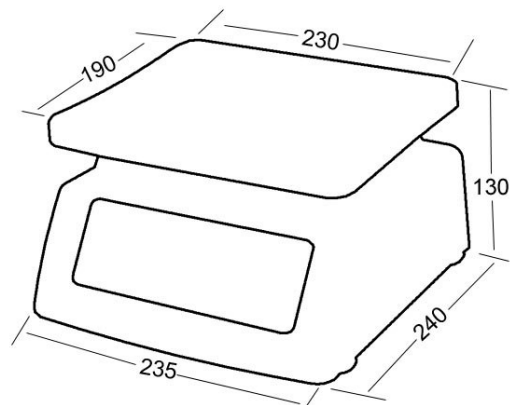
### TECHNICAL DATA

- ◆ External resolution.....1/3,000
- ◆ Display.....20 mm LCD
- ◆ Pan size.....;.....230mm × 190mm
- ◆ Keyboard.....3 keys
- ◆ Operate temp.....0°C ~ +40°C
- ◆ ADC update.....≤ 1/10 second
- ◆ Rating.....AC adapter(9V/800mA)  
“ D “ Drycell x 4 pcs

### FEATURES

- ◆ 0.8 inch LCD display
- ◆ Drycell powered and AC/DC adapter
- ◆ Selectable weighing unit (kg/lb)
- ◆ SST pan
- ◆ Plastic housing designed, rugged and dependable
- ◆ Optional rear display
- ◆ Battery provide up to 36 hours of continuous use

### DIMENSIONS (mm)



### SPECIFICATIONS

Model	T20
Capacity/division	3kg x 1g / 6kg x 2g / 15kg x 5g / 25kg x 10g
Pan size	190mm x 230mm
Display	0.8 inch LCD plus backlight
Internal counts	600,000
Rating	AC adapter (9V/800mA) “ D “ drycell x 4 pcs
Gross weight	2.5kg