

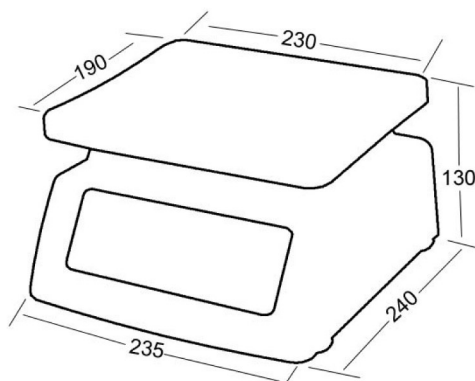
TECHNICAL DATA

- ◆ External resolution.....1/15,000
- ◆ Display.....0.8 inch LED
- ◆ Pan size.....;.....230mm × 190mm
- ◆ Keyboard.....3 keys
- ◆ Operate temp.....0°C ~ +40°C
- ◆ ADC update.....≤ 1/10 second
- ◆ Rating.....AC adapter(9V/800mA)
Rechargeable battery (6V/4Ah)

FEATURES

- ◆ 0.8 inch LCD display
- ◆ Rechargeable battery powered
- ◆ Selectable weighing unit (kg/lb)
- ◆ SST pan
- ◆ Plastic housing designed, rugged and dependable
- ◆ Optional rear display
- ◆ Battery provide up to 40 hours of continuous use

DIMENSIONS (mm)



SPECIFICATIONS

Model	T28
Capacity/division	3kg/0.2g, 6kg/0.5g, 15kg/1g
Pan size	190mm x 230mm
Display	0.8 inch LCD plus backlight
Internal counts	600,000
Rating	AC adapter (9V/800mA) Internal rechargeable battery (6V/4Ah)
Gross weight	3.5kg